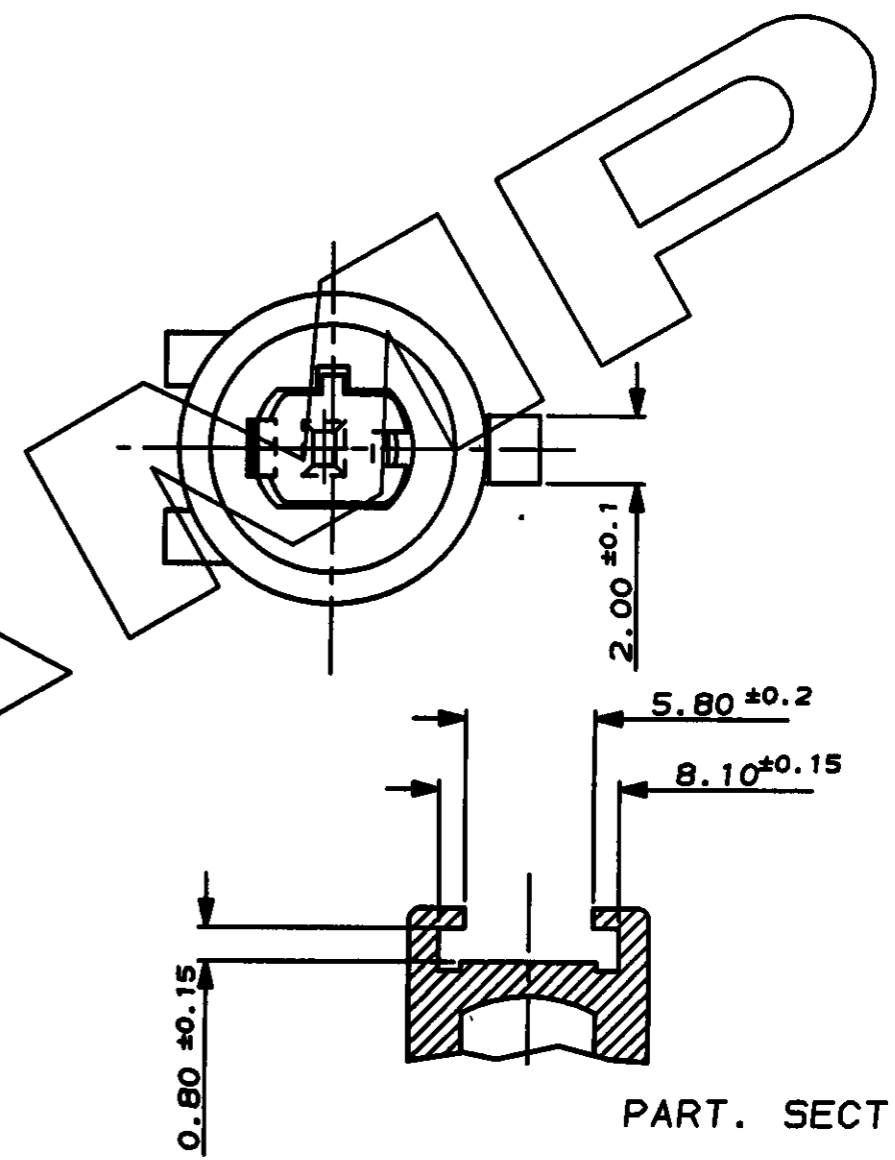
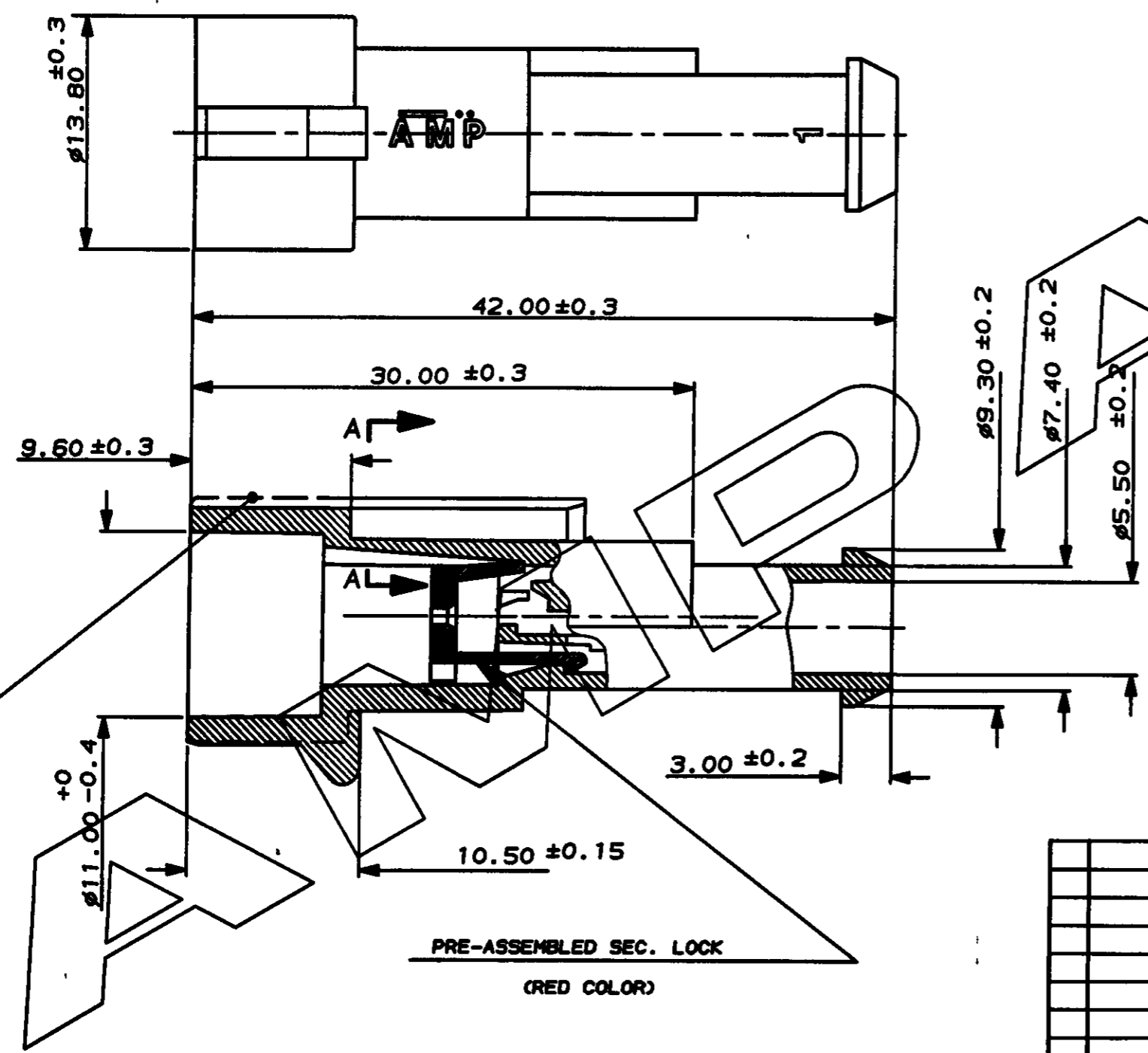


SCALA NON IMPEGNATIVA  
(DO NOT SCALE)  
DIMENSIONI IN mm  
DIMENSIONS IN mm

**METRIC**

PROIEZIONE EUROPEA  
(EUROPEAN PROJECTION)

A  
B  
C  
D  
E  
F



OPTIONAL SHAPE

PRE-ASSEMBLED SEC. LOCK  
(RED COLOR)

GREY	G.F. PA66	282103-2
BLACK	G.F. PA66	282103-1
FINITURA / COLORE (FINISH / COLOUR)	MATERIALE (MATERIAL)	NUMERO (PART NUMBER)

CUSTOMER DWG. FOR REFERENCE ONLY  
DISEGNO PER CLIENTE SOLO PER RIFERIMENTO

THIS DRAWING IS UNPUBLISHED	RELEASE FOR PUBLICATION	19
© COPYRIGHT IS BY AMP INCORPORATED, HARRISBURG, PA. ALL INTERNATIONAL RIGHT RESERVED. AMP PRODUCTS MAY BE COVERED BY U.S. AND FOREIGN PATENT AND/OR PATENT PENDING		
TOLLERANZE, SE NON DIVERSAMENTE SPECIFICATO (TOLERANCES, UNLESS OTHERWISE SPECIFIED)	DIA. ISOLANTE (INS. DIA. RANGE)	RANGO FILO (WIRE RANGE)
$\pm 0.3$	-	-
ANGOLI (ANGLE)	SCALA (SCALE)	
$\pm 2^\circ$	-	
<p><b>AMP</b> AMP ITALIA S.p.A. Corso F.lli Garibaldi, 15 COLLENO (TORINO)</p>		

6	UP-DATED	C.B.	3	83
5	UP-DATED	C.B.	10	82
4	ADDED PN ...-2	C.B.	9	81
REV.	REVISIONI (REVISION RECORD)	DIS. DATA (DATE)	APP. (APP.)	

DIS. C. BERTINI 2-90		DESCRIZIONE (DESCRIPTION) 1 POS TAB ASS'Y	
CONT. (CONT.) - 1/3/93		AMP SUPERSEAL 1.5 SERIES CONNECTORS	
LOC. (LOC.)	SIZE (SIZE)	NUMERO (PART NO.)	REV.
IA3		C-282103	6
PUBBL. (PUB.)		DI (DI)	
		-	

DISTRIBUZIONE  
PRINT. DIST.